



## Toy01 Installation Instructions

8/28/2007

The Toy01 is an interface that was developed for 2003 and later Toyota and Lexus which will enable a direct audio video input to the vehicle navigation screen / audio system. Vehicles that have the color screens but no navigation the Toy01 will enable you to add an aftermarket navigation system.

To install the Toy01 the installer must have access to the rear of the screen and control unit.

**BLACK** wire to chassis ground

**RED** wire to + 12 volt accessory

Twisted pair **White w/Blue stripe TX - / BLUE TX+** : These are TX wires 1- 1+

Included in kit  
1 Nav Tv Module  
1 Main harness  
1 Video RCA  
1 Pair audio RCA

On the rear of the screen or double din unit look for 6 pin **BLUE or WHITE** port not being used. This will be your video connection port.

Some vehicles use pins 1 & 4 some use 3 & 6. A meter will show a 72-75 ohms reading across 2 pins these are to be used for the video input.  
Pins 1 and 3 are positive + .Pins 4 and 6 are negative

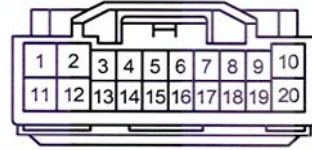
Control Unit:

Most control units have two 20 pin plugs + one 12 pin plug

Below are some examples of the main power plug: 20 pin and has four larger pins in the plug



Video



Main Power Plug

Power and ground are in the larger pins

Brown ground to Black on Toy01

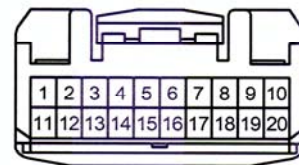
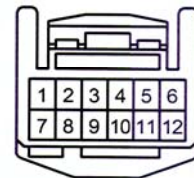
Grey 12 volt accessory to RED on Toy01

Dip switch configuration for Toyota / Lexus

ON-ON-ON-ON = DVD Changer

OFF-ON-ON-ON = DVD Player

ON-OFF-ON-ON = Navigation Emulation



If your vehicle is equipped with a factory cd changer you must set the switches for DVD Player

### TX Wires

TX wires are normally twisted together from factory. From application chart, locate your cars TX+ and TX- wires by using a meter. Voltage with the key ON will be 2-3 volts

### Nav-Tv -TX wires

Twisted pair of wires BLUE BLUE/White. These are TX wires and can be found on the 20 pin plug. Some TX wires are on the 12 pin plug. (Check application guide)

After ALL of the connections are made you will be ready to test the unit. Your video source does not have to be playing

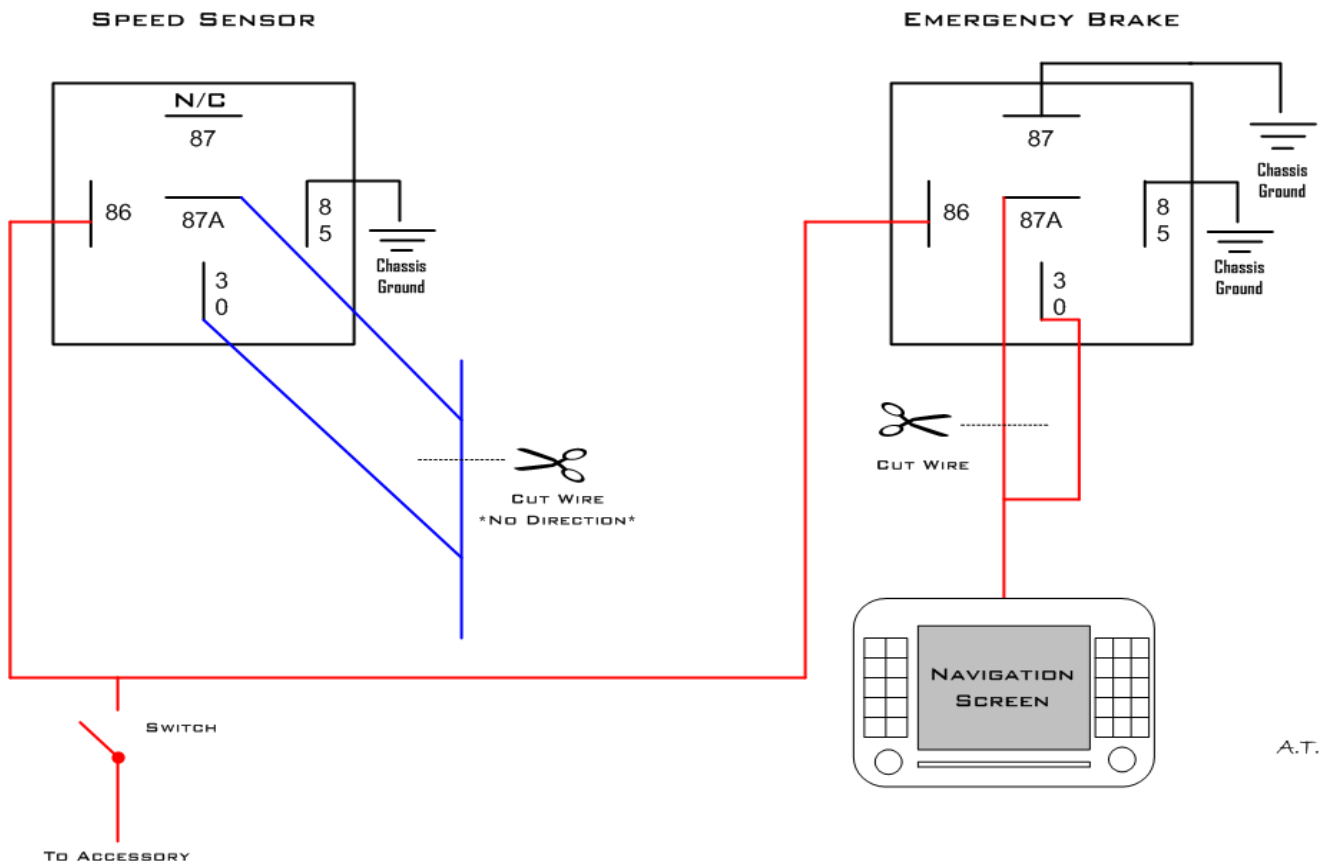
Make all connections at the screen and control unit, then to test,  
**APPLY THE PARKING BRAKE**, with the **KEY ON** plug in the Toy01

Double click the DISC button, if you get a BLACK screen it is working. If no BLACK screen: Turn the key off, unplug the 20 pin plug, unplug the Toy01. Remove the 2 screws on the plug side, remove the board from the case and move switch 1 to the opposite position. Hook up all the plugs and retest, you should have the black screen.

Go to the audio application chart and locate the audio wires. If wires are present cut pins off cables and splice in.

No wires insert plugs according to application chart. Test all audio functions if ok, proceed to speed sensor and E-brake mod.

### Check application guide for speed sensor & e-brake video in motion information



year	model/make	tx+	tx-	right+	right-	left+	left-	acc	ground	+ vid	- spd	e brake
2001	Lexus LX470	5/vio/blk *	15/wht/blk *	2/blue **	7/gr **	1/red **	6/wht **	gray *	brown *	1 scr	4 5/vio scr	13/ r/w scr
2002	Lexus LX470	5/red/wht*	15/redblk *	2/blue **	7/gr **	1/red **	6/wht **	gray *	brown *	1 scr	4 5/vio scr	13/ r/w scr
2003-2006	Lexus LX470	9/pink *	10/blue *	4/black **	5/gr **	2/ red **	3/ wht **	gray *	brown *	1 scr	4 5/vio scr	16/red scr
2003-2006	lexus GX470	9/blue **	10/lgreen **	15/black *	16/wht *	17/red *	18/gre *	gray *	brown *	1 scr	4 25v/r scr	16/gr scr
2006	lexusRX400H	5/pink *	15/violet *	15/pink *	16/l-gr *	17/blue *	18/br *	gray *	brown *	1 scr	4 25/bl scr	16/wht scr
2006	lexus IS250	5/violet *	15/ pink *	5/ red **	4/ gr **	3/ bla **	2/ wht **	gray *	brown *	1 scr	4 14/pi scr	23/red scr
2006	lexus IS350	5/violet *	15/pink *	5/ red **	4/ gr **	3/ bla **	2/ wht **	gray *	brown *	1 scr	4 14/pi scr	23/red scr
2004-2006	lexus RX330	5/pink *	15/blue *	15/pink *	16/l-gr *	17/blue *	18/br *	gray *	brown *	1 scr	4 13/pi scr	15/wht scr
2006L	lexus GS300	5/blue *	15/ l-gr *	4/red **	16/l-gr**	17/blue**	1/wht **	gray *	brown *	1 scr	4 13/pi scr	23/yel scr
2007	lexus RX350	5/blue *	15/gray *	2/blue **	3/or **	4/yel **	5/vio **	gray *	brown *	1 scr	4 20/redscr	8/wht scr
2006	lexus GS430	5/blue **	15/ l-gr **	4/red *	3/gr *	2/ bla *	4/ yell *	gray *	brown *	1 scr	4 13/piscr	23/yel scr
2006	lexus LS430	5/black *	15/white *	8/ bla *	18/wht *	3/ bla *	2/wht *	gray *	brown *	1 scr	4 5/vio scr	16/l-gr scr
2003	lexus SC430	5/lgreen *	15/gr-red *	8/bla	18/wht *	9/red *	19/gr *	gray *	brown *	1 scr	4 5/ w-rdscr	15/r-blascr
2003-2006	lexus SC430	5/lgreen *	15/gr-red *	8/bla *	18/wht *	9/red *	19/gr *	gray *	brown *	1 scr	4 5/ w-rdscr	15/r-blascr
2007	lexus ES350	5/green *	15/ red *	8/red *	18/gr *	9/bla *	19/wht *	gray *	brown *	1 scr	4 11/bl scr	23/yel scr
2007	lexus GS450h	5/blue *	15/l-green *	8/red *	18/gr *	9/bla *	19/wht *	gray *	brown *	1 scr	4 14/vioscr	23/yel scr
2007	lexus IS350	5/violet *	15/pink *	8/red *	18/gr *	9/bla *	19/wht *	gray *	brown *	1 scr	4 14/pi scr	23/red scr

scr screen \*20pinradio \*\*12pin radio

year	model/make	tx +	tx -	right +	right -	left +	left -	acc	ground	+ vid	- spd	e brake
2003-2007	4 runner	5/blk *	15/white *	2/black **	3/wht **	4/red **	5/gr **	gray	brown	1 scr	4 3 vi/rd scr	1/ l-gr scr
2005-2007	avalon	5/ yellow *	15/ brown *	18/ green*	8/red *	9/ black *	19/white*	gray	brown	1 scr	4 5/blu scr	2/ red scr
2007	camry	5/red *	15/green *	8/red *	N/C	9/ black *	N/C	gray	brown	1 scr	4 5/vioscr	
2006	solara	5/blk *	15/yellow *	8/wht *	18/blk*	9/gr *	19/red*	gray	brown	1 scr	4 3/vwhscr	
2005-2007	highlander	9/lgr **	15/orange**	2/black *	3/wht *	4/red *	5/gr *	gray	brown	1 scr	4 23/w/blscr	16/yel
2003-2007	landcruiser	5/pink*	15/ blue *	2/red **	3/wht **	4/blk **	5/gr **	gray	brown	1 scr	4 5/ vio scr	16/r-wscr
2001-2002	landcruiser	5/p-blk *	15/bl-blk *	1/red *	6/wht *	2/blu *	6/wht *	gray	brown	1 scr	4 5/ vio scr	13/r-wscr
2005-2006	tundra	5/blue *	15/green *	8/red *	18/wht*	9/bla *	19/gre *	gray	brown	1 scr	4 3/or scr	1/lg-r scr
2007	sequioia	5/blue *	15/pink *	15/wht *	16/gr *	17/bla *	18/red *	gray	brown	1 scr	4 1/lg-r scr	1/lg-r scr
2005-2006	sequioia	5/l-gr **	15/orange**	15/wht *	16/gr *	17/bla *	18/red *	gray	brown	1 scr	4 16/yelscr	16/yelscr
2007	tundra	5/vio *	15/pink *	8/wht *	18/red*	9/gr *	19/bla *	gray	brown	1 scr	4 3/wht scr	1/red scr