

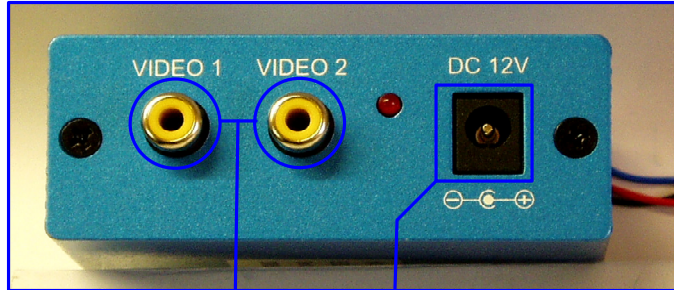
NAV-TV[®]

MAS+ INSTALLATION INSTRUCTIONS

Interfacing the future!

Attention: All Wire Connections Made During Installation Must Be Soldered

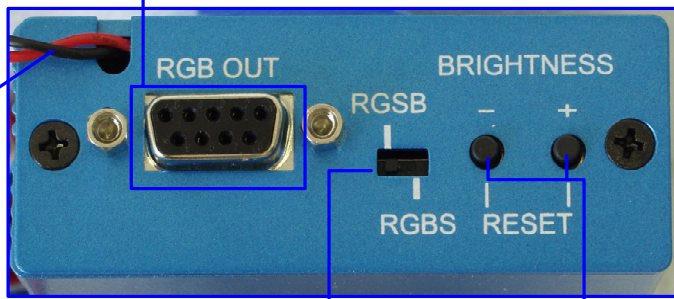
ILLUSTRATION A



VIDEO INPUT 1 & 2
POWER/GROUND PLUG
 RED: 12 VOLTS ACCESSORY POWER.
 BLACK: CHASSIS GROUND.

DB9 CONNECTOR FOR VIDEO IN/OUT WIRES

ILLUSTRATION B



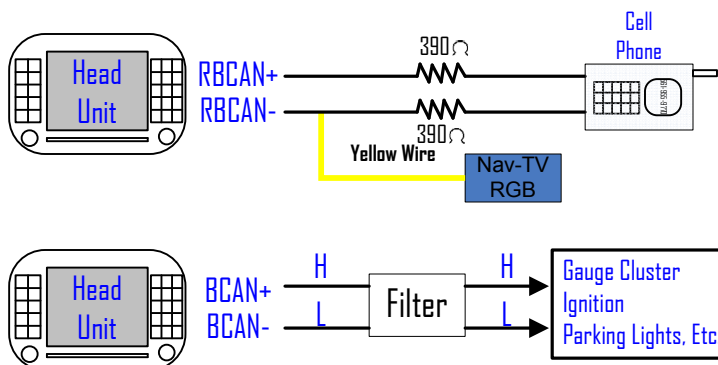
ATTACHED TOGGLE SWITCH: TO TOGGLE FROM NAV. / VIDEO INPUT 1. DO NOT APPLY POWER TO THESE WIRES!

RGBS(4-WIRE SETUP) / RGSB(3-WIRE SETUP) SELECTOR (KEEP THIS SWITCH IN THE RGSB POSITION.)
BRIGHTNESS UP / DOWN
BRIGHTNESS RESET- PRESS BOTH SIMULTANEOUSLY TO RESET TO DEFAULT

BLUE WIRE:
 POSITIVE TRIGGER FOR VIDEO 2 ON RGB2+.

- Red wire** must have accessory power. This is not a trigger for video input 1. This is main power for the unit since it is digital. Connect this straight from the ignition harness whenever possible
 - Black wire** must have chassis ground.
 - Blue wire** is positive trigger for Video Input 2
 - Single wire with white plug:** The white plug is used as a "dummy" place holder. Find the plug on the back of the Maserati radio that matches this plug. Find the wire that has the same pin-position and cut it. After you cut this wire, connect the side of the wire that is coming out of the radio to the wire that had the dummy plug.
- Video Output Harness:** Plug directly into the back of the Radio.

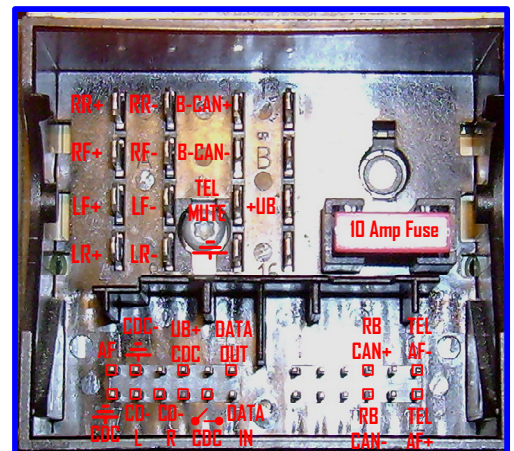
Wiring for Maserati (equipped with factory cell phone interface.)



Refer to Diagram For pin locations.

Factory Connector Pin Description

(Located in the rear of the head unit)



Nav-TV RGB (Yellow Wire) connects to the RBCAN- on the rear of the head unit.