

Flo TV addendum for Barracuda

In order for Flo TV to work, the radio has to have an AUX VIDEO input or Rear Seat Entertainment. If it does not have either of those, the vehicle has to be taken to the dealer to be coded for the Rear Seat Entertainment option.

Flo TV can be controlled by the wireless RF remote, wired remote and/or factory steering wheel controls.

To control using the factory steering wheel controls, the radio has to be in AUX VIDEO mode.

Note: Flo TV control is currently not supported for the Cadillac CTS.



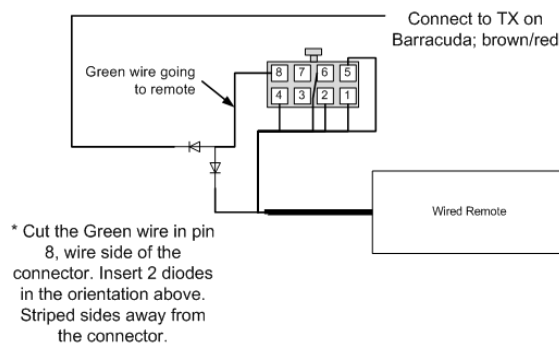
| Single Press | | |
|----------------|--------------|--|
| Up Arrow | FLOTV "UP" | Channel Up |
| Down Arrow | FLOTV "Down" | Channel Down |
| Next | OK | Selects highlighted channel In CHANNEL GUIDE mode |
| Press and Hold | | |
| Up Arrow | CH GUIDE | Enters Channel Guide |
| Down Arrow | CH GUIDE | Enters Channel Guide |
| Next | FLOTV/AUX | Switches between FLOTV and Alternate AV input |

Installation

1. Find a good location to mount the Flo TV unit.
2. Cut open the wire sheathing of the wired remote at the 8 pin connector.
3. Find the green wire located at pin 8; cut this wire in half.
4. Using the supplied Diodes, install the first diode inline of the wired remote. The band side of the diode goes **TOWARDS** the remote.
5. The second diode gets spliced in between the connector and the diode going towards the remote. The band side goes **AWAY** from the green wire. The band side of the 2nd diode goes to the TX wire of the Barracuda (Brown/Red.)

Note: The TX wire is also used for the control of a FLIR camera. When installing both a FLIR camera and Flo TV, follow the FLIR wiring instructions on the diagram on page 7 of the Barracuda manual and split the TX wire off to the Flo TV as described.

6. Connect the Flo TV ground to a good chassis ground. Connect the Flo TV power wire to either output A or B, of the Barracuda. Be sure to set the output to ACCESSORY in the Barracuda programming.
7. Audio/Video connections are made at the AUX VIDEO input.
8. Finish installation and test.



- *All connections should be soldered and heat-shrunk.*

NAV-TV is not responsible for any damage due to installation errors of this product; including, but not limited to, the Barracuda and/or FLO TV module.