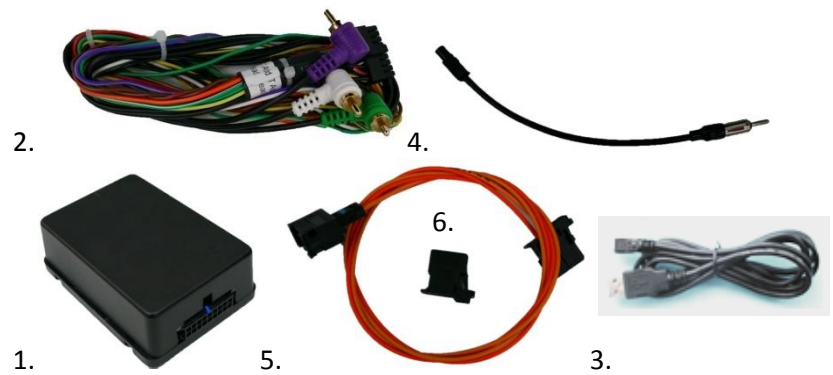
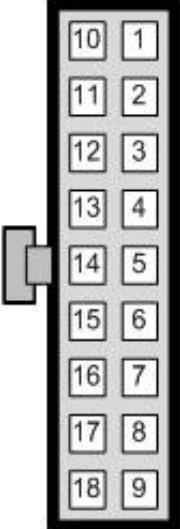


Porsche Head Unit Replacement

Interface for adding aftermarket radio into a factory amplified systems containing M.O.S.T.

Overview

What's in the box		Fig. 1 – Package Contents	
<ol style="list-style-type: none"> NAV-TV control box Connection cable USB cable Antenna adaptor Fiber-optic extension cable Fiber-optic cover 			
Wire Functions	NAV-TV Colors	Connects to:	Fig. 2 Molex plug
<ol style="list-style-type: none"> 12v Switched from key Left Front Audio IN Rear Common Shield Left Rear Audio IN Remote IN Foot Brake OUT Reverse Signal OUT * Illumination OUT CAN HI Ground Right Front Audio IN Front Common Shield Right Rear Audio IN IR Out Parking Brake out VSS Out 12v Switch out (1A) CAN LO 	<ol style="list-style-type: none"> Yellow White RCA Green/Purple RCA Green RCA Yellow/Black Yellow/Blue Purple/White Orange Brown/Red Black Gray RCA White/Gray RCA Purple RCA White Green Green/White Red Brown 	<ol style="list-style-type: none"> Vehicle Ignition Radio, Left Front RCA OUT Radio, Rear RCA Common Radio, Left Rear OUT Radio, Remote OUT Radio, Foot Brake IN Radio, Reverse IN Radio, Illumination Control Vehicle, Brown/Red (CAN) Vehicle, Brown (Ground) Radio, Right Front RCA Radio, Front RCA Common Radio, Right Rear OUT Radio, IR Control (Tip of 1/8" plug) Radio, Parking Brake IN Radio, VSS IN Radio 12v Switched Vehicle, Brown (CAN) 	

* Reverse Out is not supported on 997's and standard shift Cayennes, and the radio's *Reverse In* must be connected to the vehicle's Reverse light.

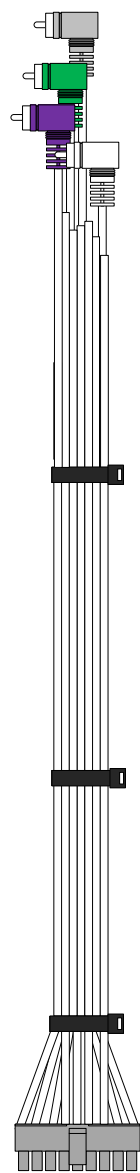
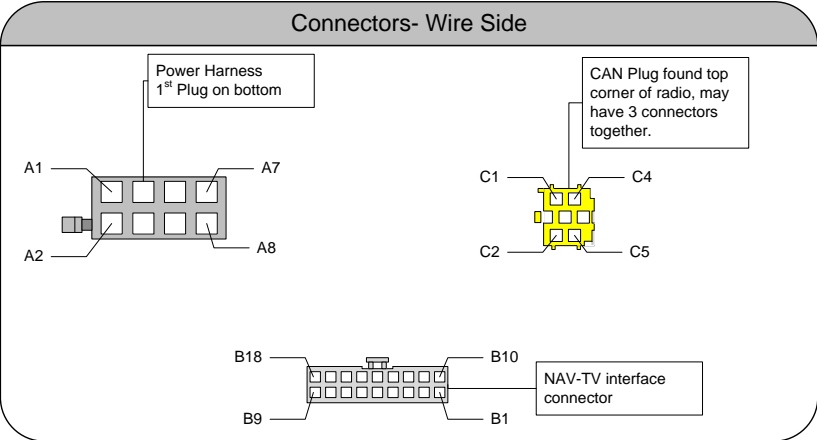


Installation

Installation	FAQ's
<ol style="list-style-type: none"> 1. Remove radio from dash. 2. Remove fiber-optic cable from factory connector, insert into supplied fiber connector, and plug into supplied fiber-optic extension cable. 3. Connect interface harness to proper wires with information provided above. 4. Radio's constant power, ground, and power antenna need to be connected to vehicles radio harness, the interface does not provide these connections. 5. SOLDER ALL CONNECTIONS! <p><i>Plug interface only after wiring is done!</i></p>	<p><i>Q. Radio doesn't power up when key is inserted.</i> A. Be sure that all connections are soldered. Verify that the CAN connections are to the correct wires, or that they are not backwards.</p> <p><i>Q. Radio turns on, but I don't hear any audio.</i> A. Make sure that the AMP REMOTE out of the radio is connected to the YELLOW/BLACK wire of the interface.</p> <p><i>Q. Why won't the steering wheel controls work?</i> A. Make sure the proper file is loaded for the radio, and the steering wheel controls are programmed for the proper radio. (Eclipse and Pioneer steering wheel controls are not supported).</p> <p><i>Q. I don't get any radio reception.</i> A. Be sure that the radio's POWER ANTENNA out is connected to pin 14 of factory harness.</p> <p><i>Q. Is fading supported?</i> A. Since fading is controlled by the factory radio, the MOST-HUR cannot set it. If fading is desired, then it must be set by the factory radio, before it is removed.</p> <p><i>Q. Will this allow me to control factory accessories, i.e. factory changer, satellite radio etc?</i> A. No.</p>

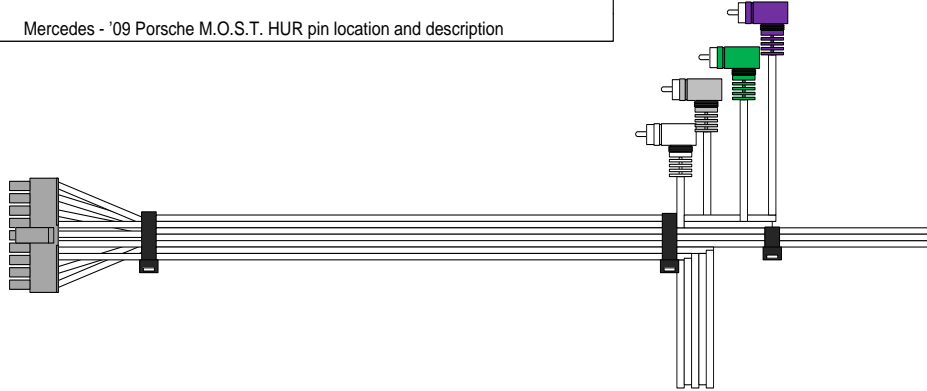
Programming:	
<p>To download radio specific files go to the Nav-TV website: http://www.navtv.com. These files are designed to make installation easier. If the radio is not listed, use an existing file to program the M.O.S.T. HUR module; however, steering wheel control will not be available.</p>	

DESCRIPTION
 '04-'08 Porsche M.O.S.T. HUR pin location and description



Connector	Wire Color	Vehicle Color	Wire description	
B1	Yellow		+12v switched at ignition. Relay required	
B2	White RCA		Left Front RCA Audio IN	
B3	Rear RCA's		Rear RCA Shields	
B4	Green RCA		Left Rear RCA IN	
B5	Yellow/Black		12v AMP Turn On from radio	
B6	Yellow/Blue		12v OUT- Vehicle Foot Brake Signal	
B7	Violet/White		1A +12 Reverse OUT	
B8	Orange		Illumination OUT	
B9	C1	Brown/Red	Orange/Purple	CAN HIGH
B10	A8	Black	Brown	Ground- Shared Radio/Module
B11	Grey RCA		Right Front RCA Audio IN	
B12	Front RCA's		Front RCA Shields	
B13	Violet RCA		Right Rear RCA Audio IN	
B14	White		IR Control to radio – Steering Wheel	
B15	Green		Parking Brake OUT	
B16	Green/White		Vehicle Speed Sense (VSS) OUT	
B17	Red		1A +12v Switched OUT	
B18	C2	Brown	Orange/Brown	CAN LOW
	A5	White		Power Antenna IN- From Radio to Car

DESCRIPTION
 Mercedes - '09 Porsche M.O.S.T. HUR pin location and description



Connector	Wire Color	Vehicle Color	Wire description
B1	Yellow		+12V switched at the ignition. Relay required
B2	White RCA		Left Front RCA Audio IN
B3	Rear RCA		Rear RCA Shields
B4	Green RCA		Left Rear RCA Audio IN
B5	Yellow/Black		12v AMP Turn On from radio
B6	Yellow/Blue		12V OUT- Vehicle Foot Brake Signal
B7	Violet/White		1A +12v Reverse OUT
B8	Orange		Illumination OUT
B9	A11 Brown/Red	Orange/Purple	CAN HIGH
B10	A12 Black	Brown	Ground- Shared Radio/Module
B11	Gray RCA		Right Front RCA Audio IN
B12	Front RCA		Front RCA Shields
B13	Violet RCA		Right Rear RCA Audio IN
B14	White		IR Control to radio- Steering Wheel
B15	Green		Parking Brake OUT
B16	Green/White		Vehicle Speed Sense (VSS) OUT
B17	Red		1A +12v Switched OUT
B18	A9 Brown	Orange/Brown	CAN LOW
A14		White	Power Antenna IN- To Vehicle

